

# RJ Field Receptacle with Self Closing Cap

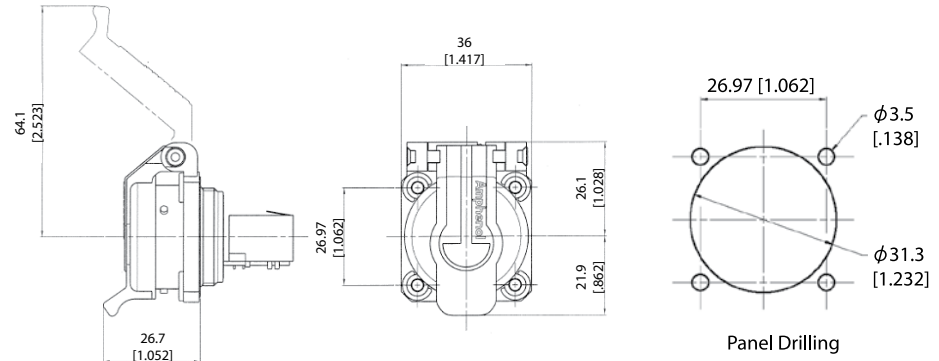


This kit includes a receptacle and a Self Closing Cap which protects the RJ Field square flange receptacles (MIL-C-26482 type). This cap offers a protection against dust and water projections. A spring automatically closes the upper part of the cap when either the RJfield plug, USB or IEEE1394 cordset, or USB key are removed from the receptacle.

**Sealing level IP54**  
(Splash and dust Proof)

## RJF 21 X SCC

RJ45 version



Part number *	Plating	Metallized insert (EMI)	Part number
	Black coating - ROHS compliant	No	RJF 21B SCC
	Nickel - ROHS compliant	Yes	RJF 21N SCC
	Olive drab cadmium	Yes	RJF 21G SCC

\* The part number includes the receptacle + the self closing cap

**Remarks:**

- the back termination is female RJ45
- it could be used with our RJF series plug (part number RJF6xx ▶ see page 17)

■ **Note:** Panel gasket with any of these receptacles: JE18

## USBF 21 x SCC, USBF 21 x SCC, & IEEE1394



**USB2.0 & 3.0 - A version**  
(see pages 94 & 107)



**USB-B version**  
(see page 118)



**IEEE1394 version**  
(see page 143)